

## WARNING

Improper installation of Vent System and Components, or failure to follow installation instructions, can result in property damage or serious injury.

- Examine all components for possible shipping damage prior to installation;
- Proper joint construction is essential for a safe installation. Follow these instructions exactly as written;
- This venting system must be free to expand and contract. This venting system must be supported in accordance with these instructions;
- Check for proper joint when joining pipe to fittings;
- Check for unrestricted vent movement through, walls, ceilings, and roof penetrations;
- Different manufacturers have different joint systems and adhesives. Do not mix pipe, fittings or joining methods from different manufacturers.



Installation instruction

**Z-DENS™**  
**Flex**

COXCENTRIC PPs/Alu with **CONNEX™** COUPLING

ULC-S636



For North American Inquiries:

**Z-DENS™**

Z-Flex (US) Inc.

Bedford NH 03110-6911

tel: 800.654.5600

[www.z-flex.com](http://www.z-flex.com) [sales@z-flex.com](mailto:sales@z-flex.com)



**Cox Geelen**

**CONTENTS**

<b>Introduction</b>	<b>3</b>
<b>Installation Requirements</b>	<b>3</b>
Approvals/Codes	3
Product specifications	3
Product range	4
<b>Coxcentric PPs/Alu with CONNEXT® Components</b>	<b>4</b>
General installation conditions	4
<b>Installation of the Coxcentric PPs/Alu with CONNEXT® system</b>	<b>6</b>
<b>Dealing with Condensate</b>	<b>7</b>
<b>Termination</b>	<b>8</b>
Vertical Termination	8
Horizontal Termination	9
<b>Maintenance</b>	<b>10</b>



Intertek  
ULC S636

## INTRODUCTION

Coxcentric PPs/Alu with Connex<sup>®</sup> is third party certified to ULC-S636 standard for Class IIC rating (exhaust temperatures up to 110 °C (230 °F) and CE EN 14471. Certified diameters are 60/100mm (2"/4"), 80/125mm (3"/5") and 110/160mm (4"/6"). The following installation instructions are in accordance with the requirements of section 4 of the ULC-S636 Standard.

Coxcentric PPs/Alu with Connex<sup>®</sup> is a vent system for type BH Gas-Venting, for use with ANSI Category II and IV gas burning appliances, condensing boilers, with a maximum flue gas temperature of 110 °C (230 °F).

In addition, please refer to the appliance manufacturer's instructions for restrictions to the total vent length or height, number of elbows that can be used, sizing of the vent or specifics as to appliance connections before proceeding with the installation of this product. Appliance manufacturer's installation instructions take precedence over this document.

## INSTALLATION REQUIREMENTS

Installation and Annual servicing of the Coxcentric PPs/Alu vent system must be performed by a qualified installer, service contractor or gas supplier.

The safe operation of a system is based on the use of parts supplied by the manufacturer and the performance of the system may be affected if the combination of these parts is not be used in the actual building construction.

Acceptance of the system is dependent upon full compliance with the installation instructions.

### Approvals/Codes

The installation has to be conform to all relevant local, State, Provincial or National codes. Coxcentric PPs/Alu venting system is approved for use under ULC-S636 Class II-C gas-fired appliances with a maximum flue gas temperature of 110°C (230°F). Cox Geelen guarantees Coxcentric PPs/Alu up to a maximum flue gas temperature of 120°C (248°F).

All penetrations of fire rated walls, floors, and ceilings must comply with national and local building codes and regulations, and be approved by the local regulatory authority and/or building inspectors.

## Product specifications

- Internal vent pipes made of flame retardant Polypropylene material (certified for use flue gas in accordance with a European standard DIN EN 14471);
- External air pipe made of aluminium sheet material in the colour RAL 9016;
- CONNEXT<sup>®</sup> coupling made of Polycarbonate /ABS, UV-resistant in the colour RAL 9016;
- Sealings are made of EPDM;
- Self drilling screws of stainless steel;
- Supports of aluminium in the colour RAL 9016;
- Cox Geelen Pipe lubricant Chloride free;
- System diameters: Ø 60/100mm (Ø 2"/4")  
Ø 80/125mm (Ø 3"/5")  
Ø 110/160mm (Ø 4"/6")
- Roof termination:
  - Internal vent pipe of flame retardant Polypropylene material (certified for use flue gas in accordance with a European standard DIN EN 14471);
  - External air pipe of galvanized steel sheet material in the colour RAL 9016 (Sizes Ø 60/100mm (Ø 2"/4") and Ø 80/125mm (Ø 3"/5"));
  - External air pipe of galvanized steel sheet material in the colour RAL 9005 (Only size Ø 110/160mm (Ø 4"/6"));
  - Termination cap is made of Polypropylene material in the colour RAL 9005 (only Ø 60/100mm (Ø 2"/4") and Ø 80/125mm (Ø 3"/5"));
  - Roof flashing is made of non-lead butyl flashing with Polyethylene swivels;
- Wall termination:
  - Internal vent pipe of flame retardant Polypropylene material (certified for use flue gas in accordance with a European standard DIN EN 14471);
  - External air pipe of galvanized steel sheet material in the colour RAL 9016 (Sizes Ø 60/100mm (Ø 2"/4") and Ø 80/125mm (Ø 3"/5"));
  - Nozzle is made of Polypropylene in the colour RAL7001 (Sizes Ø 60/100mm (Ø 2"/4") and Ø 80/125mm (Ø 3"/5"));
  - External air pipe of galvanized steel sheet material without separate nozzle in the colour RAL 9016 (Only size Ø 110/160mm (Ø 4"/6"));
  - Internal wall bracket is made of Galvanized steel and aluminium in the colour RAL 9016;
  - Outside EPDM Wall plate is in the colour RAL 7001.



Intertek  
ULC S636

## Product range

In all product sizes we offer the following product range:

- Length of pipe sections: 250 mm (10"), 500 mm (20"), 1000 mm (40");
- Cast bends: 45° en 90°;
- T-pieces;
- Adjustable pipes;
- Roof terminal (condensing boilers);
- Wall terminal (condensing boilers);
- Condensation drain;
- Inspection piece;
- Measuring points;
- Non lead roof flashing for sloping roof and flat roof;
- Supports;
- Self drilling screws.

## COXCENTRIC PPs/ALU WITH CONNEXT® COMPONENTS

For a list of ULC-S636 approved Coxcentric PPs/Alu with CONNEXT® components, please consult the Coxcentric PPs/Alu with CONNEXT® brochure at [www.coxgeelen.com](http://www.coxgeelen.com).

### General installation conditions

1. Do not install CONNEXT® in areas where ambient air temperature exceeds 150°C (302°F).
2. Do not store the Coxcentric PPs/Alu system in a corrosive environment.
3. The maximum continuous vertical vent length is unlimited, the maximum distance between the supports is 2m (78"), see figure 1. Always refer to the manufacturer's instruction for appliance specific vent limitations.
4. The horizontal installation length is unlimited, the maximum distance of a non vertical installation between the brackets is 1m (39"), see figure 2. The venting system has to be sloped upwards not less than 50 mm (2") per 1000 mm (39") from the appliance to the vent terminal, see figure 3. Always refer to the manufacturer's instruction for appliance specific vent limitations.
5. System is subject to expansion and contraction. When the outer pipe is fixed with the supports, the inner PPs flue pipe is free to slide. This vent system has to be supported in accordance with these instructions.
6. Appliances can be operated immediately upon the completion of the Coxcentric PPs/Alu Vent System installation.
7. The internal vent pipe of Coxcentric PPs/Alu is rated to a maximum of 5000Pa (0.725psi) or 20" of water column.
8. The maximum flue gas temperature for Coxcentric PPs/Alu is 110°C (230°F) for ULC-S636 compliant installations. Cox Geelen guarantees Coxcentric PPs/Alu up to a maximum flue gas temperature of 120°C (248°F).
9. Cox Geelen Pipe lubricant (art.no. 0005CA000), especially made for the assembly of exhaust pipes in plumbing and heating systems. May be applied to all gaskets for ease of assembly. Don't use another Pipe lubricant.
10. Free standing components (i.e., above a roof) must not exceed a maximum vertical height of 1m (39") (Wind load). When the freestanding length is greater, the flue liner has to be stabilized. The maximum distance between the outer surface of the flue liner and the wall is 50 mm. (subjected to bracket strength)
11. The minimum clearance to combustibles materials is zero, 0 mm (0").
12. Unless approved by the appliance manufacturer, only one appliance may be attached to the vent system.
13. Do not use Coxcentric PPs/Alu with any other manufacturer's vent components. Cox Geelen Coxcentric PPs/Alu components must be used exclusively throughout the entire vent system.

Vent Support Spacing

1 Typical vertical support spacing

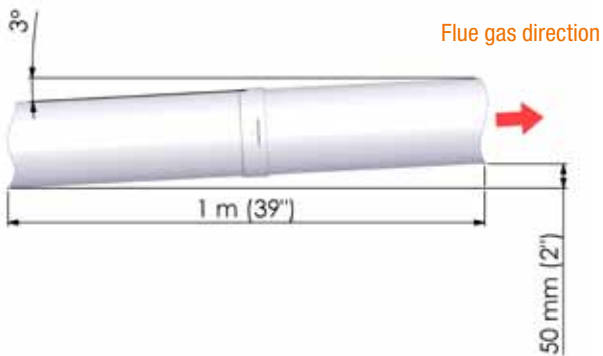


2 Typical horizontal support spacing

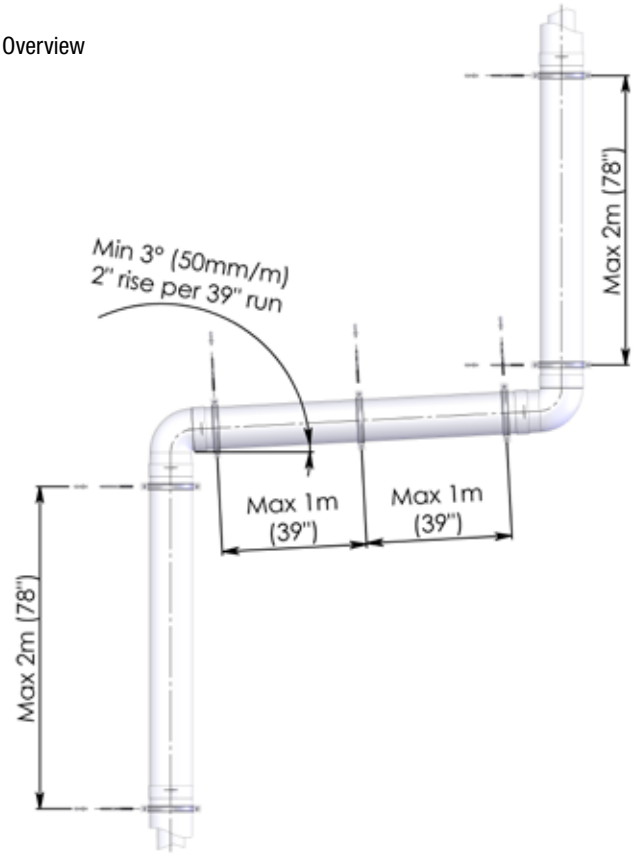


Pitch

3 Typical horizontal situation



Overview



**INSTALLATION OF THE COXCENTRIC PPs/ALU WITH CONNEXT® SYSTEM**

- Check the presence of the seals and their correct placement; ❶
- Installation: before putting the sections together, the push in spigot and the black seals have to be rubbed with special Pipe Lubricant Chloride free (only obtainable at Cox Geelen BV), so that a smooth installation is possible.
- The installation of the separate sections will be connected by pushing the CONNEXT® spigot end of the section into the socket of the previous section; ❷
- To lock the system, turn two self-drilling screws  $\varnothing 3,5 \times 13$  mm (supplied with vent) into the predrilled holes of the CONNEXT® spigot and through the metal air pipe. Don't use longer screws to avoid damage of the internal vent pipe; ❸
- After locking the venting parts, the complete vent system has to be fixed to the building construction with the aluminum supports. For vertical installation the maximum distance between the supports is 2 m (78") and for non-vertical installation the maximum distance between the supports is 1 m (39"). The venting system has to be sloped upwards not less than 50 mm (2") per 1000 mm (39") from the appliance to the connection with the vent terminal.
- Don't install the system upside down in order to avoid leakage of condensate.
- Making a specific length: when a pipe section is too long, it's possible to shorten this (e.g. with a hacksaw). ❹
- Remove burrs at the pipe ends.
- Making a specific length: when a pipe section is too short, it can be extended by use of an adjustable pipe.



**CAUTION**  
 Damage to the gasket can result in the dangerous release of carbon monoxide!



## DEALING WITH CONDENSATE

Always read the Appliance manufacturers installation instructions in conjunction with those from Cox Geelen.

If the appliance manufacturer's installation instructions state that condensate cannot be discharged through the boiler appliance then the flue gas condensate must not be allowed to flow back to the boiler. This can be achieved by fitting the condensate trap and drain component into the Coxcentric flue system.

Regardless of boiler appliance flue system installation mode - Vertically or Horizontally - the condensate trap and drain can be fitted - see diagrams below.

The condensate trap's drain off pipe must be connected to a condensate resistant tube of minimum internal diameter 3"/4", then via a siphon/ airlock controlled outflow to a secured "open" connection to the sewer drain or neutralising system. An appropriately sized siphon/airlock **MUST** be fitted to maintain room sealed conditions, preventing flue gas emissions into the

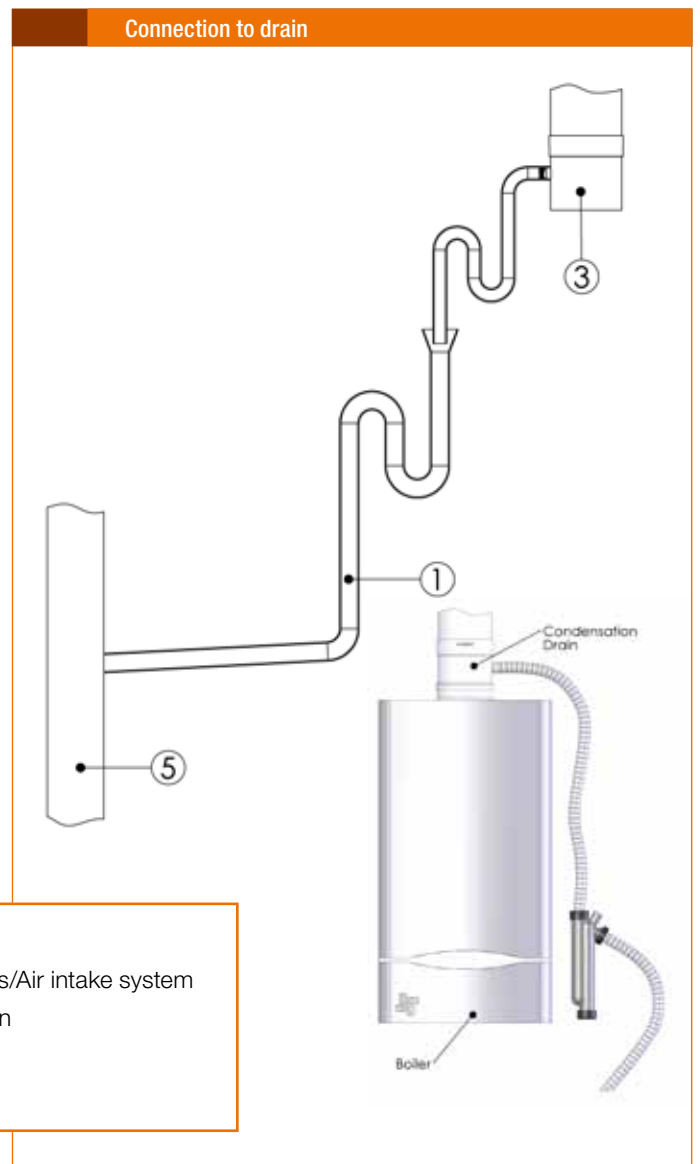
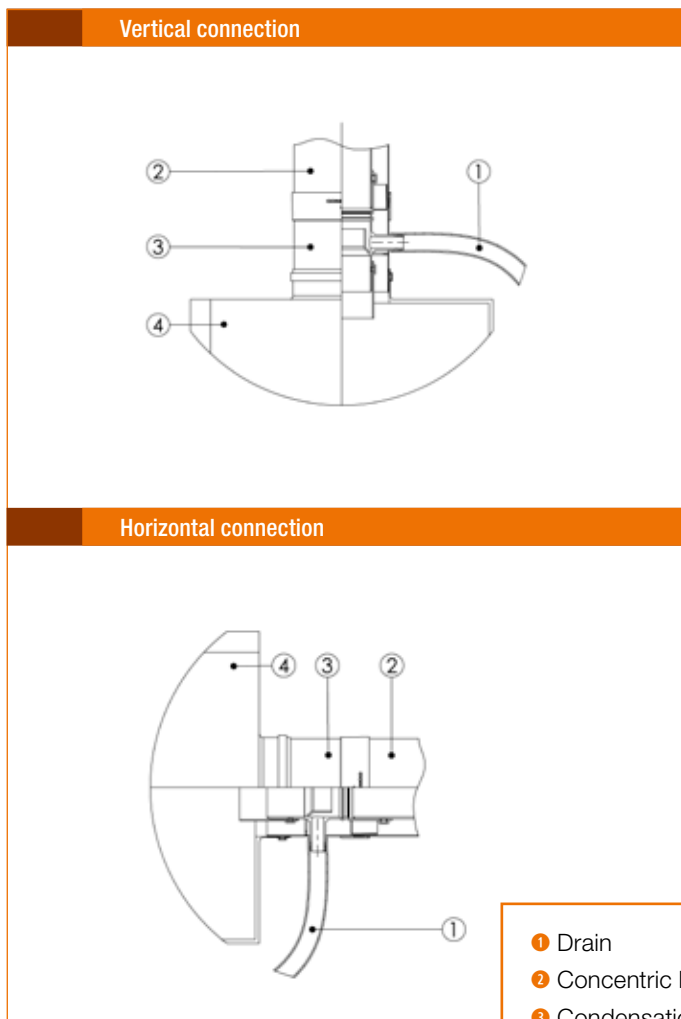
boiler room and equally to prevent back flow of fumes from the sewer discharge point.

To avoid condensate freezing and disruption of normal operation of the appliance the condensate evacuation pipe routing should be suitably arranged internally wherever possible.

Exposure of condensate collection and discharge pipe work to extreme temperatures and UV light should be avoided at all times. Condensate removal and disposal must conform to NEN 3287 and NEN 3215.

All components within this condensate collection and discharge system should be manufactured in condensate resistant materials- this can be assured by use of the Cox Geelen siphon and drain pipe (part no 0004.CA.0-00).

The condensate removal components, siphon and discharge pipe work must be inspected and maintained annually by suitably qualified appliance service engineers ideally at the annual service of the appliance.



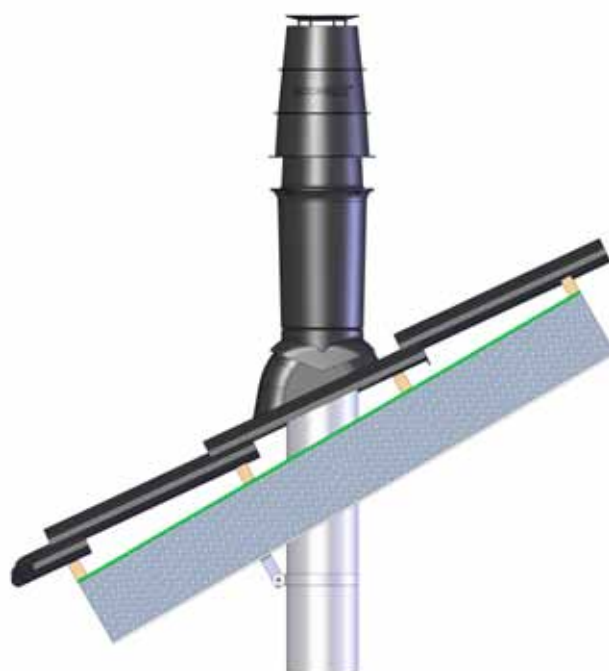
- ① Drain
- ② Concentric Fluegas/Air intake system
- ③ Condensation drain
- ④ Appliance
- ⑤ Drainage - canal

## TERMINATION

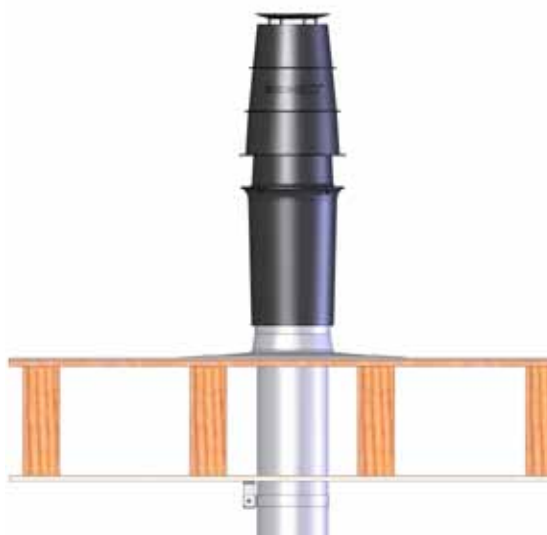
### Vertical Termination

- If the position of the roof terminal is specified, make a hole in the roof:
  - a) For terminal  $\varnothing$  60/100mm ( $\varnothing$  2"4") and  $\varnothing$  80/125mm ( $\varnothing$  3"5") with a minimum of  $\varnothing$  140mm ( $\varnothing$  5,5") depending on the roof sloping;
  - b) For terminal  $\varnothing$  110/160mm ( $\varnothing$  4"6") with a minimum of  $\varnothing$  170mm ( $\varnothing$  7") depending on the roof sloping;
- For a good water seal, install the correct roof flashing on the roof;
- Install the roof terminal vertically through the roof flashing and fix them with the support to the inside of the roof;
- The roof terminal is now ready to connect with the other vent parts.

Typical sloping roof situation



Typical flat roof situation





### Horizontal Termination

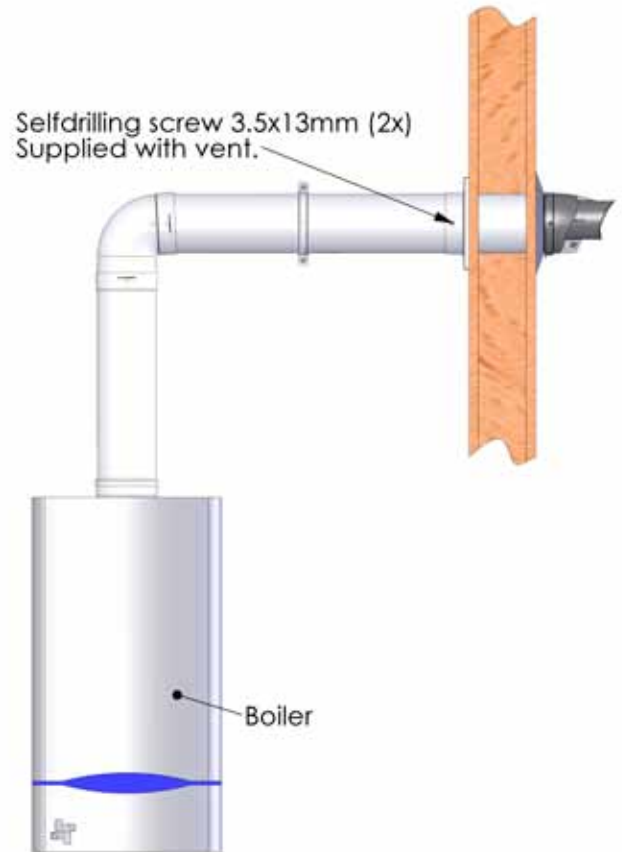
- If the position of the wall terminal is specified, make a hole in the wall with a minimum of
  - a)  $\varnothing$  105mm ( $\varnothing$  4,1") for terminal  $\varnothing$  60/100mm ( $\varnothing$  2"4");
  - b)  $\varnothing$  130mm ( $\varnothing$  5,1") for terminal  $\varnothing$  80/125mm ( $\varnothing$  3"5");
  - c)  $\varnothing$  165mm ( $\varnothing$  6,5") for terminal  $\varnothing$  110/160mm ( $\varnothing$  4"6");

For a good water seal, install the correct wall sealing on the outside of the wall;

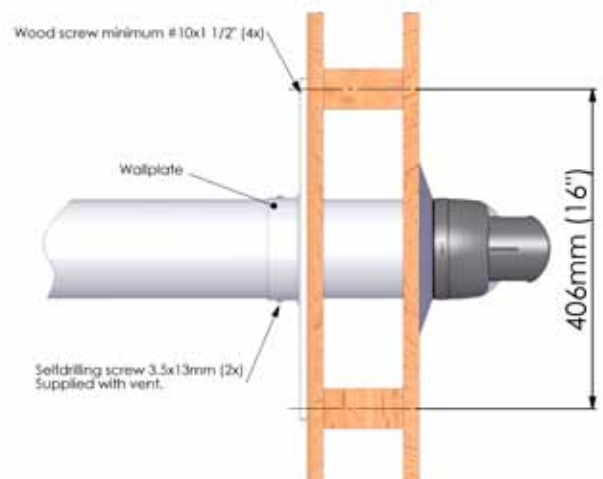
- Install the wall terminal horizontally through the wall and fix them with the wall bracket to the inside of the wall with 4 wood screws;
- To lock the system, turn two self-drilling screws  $\varnothing$  3,5x13mm (supplied with vent) into the predrilled holes of the wall bracket and through the metal air pipe. Don't use longer screws to avoid damage of the internal vent pipe;
- The wall terminal is now ready to connect with the other vent parts.

Terminations must be in accordance with the appliance manufacturer's instructions, local building code requirements, CAN/CSA-B149.1 and CAN/CSA-B149.2.

### Typical wall situation



### TOP VIEW



## MAINTENANCE

Cox Geelen recommends that gas appliances using Coxcentric PPs/Alu venting should be checked once a year by a qualified installer.

These Recommendations were issued on 10-1-2013 by:

**For North American Inquiries:**  
**Z-DENS™**  
**Z-Flex (US) Inc.**  
**Bedford NH 03110-6911**  
**tel: 800.654.5600**  
**www.z-flex-com sales@z-flex.com**

## Cox Geelen

Emmastraat 92 • 6245 HZ Eijsden • PO-Box 6 • 6245 ZG Eijsden • The Netherlands  
T +31 (0)43 40 99 500 • F +31 (0)43 40 91 987 • sales@coxgeelen.com • www.coxgeelen.com  
Chamber of Commerce Limburg 14608324

## **AVERTISSEMENT**

Une mauvaise installation du système d'évacuation et de ses composants, ou une mauvaise interprétation des instructions de montage, peuvent entraîner des dommages matériels ou des blessures graves.

- Avant le montage, examiner toutes les pièces pour s'assurer qu'elles n'ont pas subi de dommage pendant le transport;
- Une installation est sans danger essentiellement si les conduits sont correctement assemblés. Suivre ces instructions à la lettre;
- Les conduits d'entrée d'air et de sortie de gaz de combustion doivent être libres de se dilater et se contracter, et pour cela ils doivent être fixés selon ces instructions;
- Lors de l'assemblage ; veiller à ce que tous les éléments du conduit soient bien ajustés;
- Vérifier que le flux d'évacuation ne soit pas entravé dans les passages des murs, plafond, et toit;
- Les systèmes de raccordement et de fixation diffèrent selon les fabricants, en conséquence ne surtout pas mélanger conduits, systèmes de fixation ou de raccordement de fabricants différents.



Manuel d'Installation

**COXCENTRIC PPs/Alu**  
**avec raccordements CONNEXT<sup>®</sup>**  
**ULC-S636**



For North American Inquiries:  
**Z-DENS<sup>™</sup>**  
Z-Flex (US) Inc.  
Bedford NH 03110-6911  
tel: 800.654.5600  
[www.z-flex-com](http://www.z-flex-com) [sales@z-flex.com](mailto:sales@z-flex.com)



**Cox Geelen**

## TABLE DES MATIÈRES

<b>Introduction</b>	<b>3</b>
<b>Conditions d'installation</b>	<b>3</b>
Homologations/Règlements	3
Spécifications Produits	3
Gamme des produits	4
<b>Composés Coxcentric PPs/Alu avec raccords CONNEXT®</b>	<b>4</b>
Conditions générales d'installation	4
<b>Installation du système Coxcentric PPs/Alu avec raccords CONNEXT®</b>	<b>6</b>
<b>Condensats</b>	<b>7</b>
<b>Terminal</b>	<b>8</b>
Terminal vertical	8
Terminal Horizontal	9
<b>Maintenance</b>	<b>10</b>

## INTRODUCTION

Coxcentric PPs/Alu with CONNEXT® est certifié par un organisme indépendant à la norme ULC-S636 standard pour Classe IIC (température maximale des gaz de combustion 110°C (230°F)) et CE EN 14471. Diamètres certifiés: 60/100mm (2"/4"), 80/125mm (3"/5") and 110/160mm (4"/6").

Les instructions d'installation suivantes sont conformes avec les critères de la section 4 de la norme ULC-S636.

Coxcentric PPs/Alu with CONNEXT® est un système d'évacuation de type Gas-Vent-BH, pour ANSI de classe II et IV à gaz (chaudières à condensation) avec des gaz brûlés à une température maximale de 110°C (230°F).

Se conformer impérativement aux instructions du fabricant de la chaudière à propos des limitations concernant les conduits :

- Diamètre
- Hauteur
- Longueur
- Nombre de coudes

## CONDITIONS D'INSTALLATION

L'installation et l'entretien annuel du système Coxcentric PPs/Alu doit être effectué par un installateur qualifié, une société de maintenance ou un fournisseur de gaz.

L'utilisation des pièces fournies par le fabricant garantit un fonctionnement sans risque et la performance du système pourrait être affectée si les conduits n'étaient pas correctement assemblés. L'acceptation du système repose entièrement sur sa totale conformité avec les instructions d'installation.

## Homologations/Règlements

L'installation doit être conforme à tout règlement local, provincial et National. Le système de conduits de fumée Coxcentric PPs/Alu est homologué sous le n° ULC-S636 de la Classe II-C des chaudières à gaz pour une température maximum de 110° (230°F) dans ses conduits. Cox Geelen garantit Coxcentric PPs/Alu pour une chaleur maximum de 120° (248°F) dans ses conduits.

La protection incendie des murs, planchers et plafonds doit répondre aux normes nationales, aux règlements de copropriétés des immeubles et être approuvée par les autorités légales concernées.



## Spécifications Produits

- Conduit interne des fumées avec retardant de flamme en Polypropylène (homologué en conformité avec la norme européenne DIN EN 14471);
- Conduit externe d'air en aluminium coloris RAL 9016;
- Raccordement CONNEXT® en Polycarbonate /ABS, UV-résistant, coloris RAL 9016;
- Joints en EPDM;
- Vis auto-foreuses en acier inox;
- Supports en aluminium coloris RAL 9016;
- Lubrifiant sans chlorure Cox Geelen pour l'emboitage des conduits;
- Diamètres des conduits :
  - Ø 60/100mm (Ø 2"/4")
  - Ø 80/125mm (Ø 3"/5")
  - Ø 110/160mm (Ø 4"/6")
- Terminal toit
  - Conduit interne des fumées avec retardant de flamme en Polypropylène (homologué en conformité avec la norme européenne DIN EN 14471);
  - Conduit externe d'air en acier galvanisé coloris RAL 9016, diamètres Ø 60/100mm (Ø 2"/4") et Ø 80/125mm (Ø 3"/5");
  - Conduit externe d'air en acier galvanisé coloris RAL 9005, seulement en Ø 110/160mm (Ø 4"/6");
  - Chapeau de sortie en Polypropylène coloris 9005 (seulement pour Ø 60/100mm (Ø 2"/4") et Ø 80/125mm (Ø 3"/5));
  - Base de solin en butyl sans plomb avec rotules en polyéthylène.
- Terminal mural
  - Conduit interne des fumées avec retardant de flamme en Polypropylène (homologué en conformité avec la norme européenne DIN EN 14471);
  - Conduit externe d'air acier galvanisé coloris RAL 9016, diamètres Ø 60/100mm (Ø 2"/4") et Ø 80/125mm (Ø 3"/5");
  - Nez de terminal en polypropylène coloris RAL 7001, diamètres Ø 60/100mm (Ø 2"/4") et Ø 80/125mm (Ø 3"/5");
  - Conduit externe d'air en acier galvanisé sans nez séparé coloris RAL 9016, seulement en Ø 110/160mm (Ø 4"/6");
  - Plaque de finition intérieure en acier galvanisé ou alu coloris RAL 9016;
  - Plaque de finition extérieure en EPDM.

## Gamme des produits

Nous offrons les produits suivants dans toutes les tailles:

- Longueur des sections de conduit: 250 mm (10"), 500 mm (20"), 1000 mm (40");
- Coudes moulés: 45° en 90°;
- Conduits T;
- Conduits réglables;
- Terminal toit (chaudières à condensation);
- Terminal mural (chaudières à condensation);
- Conduit d'évacuation des condensats;
- Conduit d'inspection;
- Points de mesure;
- Solin sans plomb pour toit incliné ou plat;
- Supports;
- Vis auto-foreuses.

## COMPOSÉS COXCENTRIC PPs/ALU AVEC RACCORDEMENTS CONNEXT®

Pour consulter la liste des homologations ULC-S636 des composants Coxcentric PPs/Alu veuillez consulter le catalogue sur le site [www.coxgeelen.com](http://www.coxgeelen.com).

### Conditions générales d'installation

1. Ne pas installer CONNEXT® dans des zones où la température ambiante excède 150° (302°F).
2. Ne pas stocker le système Coxcentric PPs/Alu with CONNEXT® dans un environnement corrosif.
3. La distance maximum entre les supports est de 2m (78"), voir figure 1. A propos des conduits, se référer impérativement aux instructions du fabricant de la chaudière pour la hauteur maximale tolérée.
4. La distance maximale entre les colliers d'une installation horizontale est de 1m (39"), voir figure 2. Les conduits doivent être installés avec une inclinaison montante de 50mm (2") par 1000m (39") depuis la chaudière jusqu'au terminal, voir figure 3. Sauf si avis contraire du fabricant de chaudière. A propos des conduits, se référer impérativement aux instructions du fabricant de la chaudière pour la longueur maximale tolérée.

5. Les conduits internes PPs sont amenés à se dilater et se contracter. Quand le conduit extérieur est fixé aux supports, le conduit PPs intérieur est libre de coulisser. Le système de conduits doit être fixé à l'aide des supports selon les instructions.
6. La chaudière peut fonctionner immédiatement après l'installation des conduits PPs/Alu Coxcentric.
7. Le conduit intérieur Coxcentric PPs/Alu est conçu pour une pression maximale de 5000Pa (0.725psi) ou une colonne d'eau de 20".
8. D'après la norme européenne ULC-S636, la température du gaz autorisée pour les conduits Coxcentric PPs/Alu est de 110° maximum. Cox Geelen garantit ses conduits Coxcentric PPs/Alu pour une température maximale de 120°.
9. Le lubrifiant Cox Geelen (art.n° 0005CA000) a été fabriqué spécialement pour assembler les conduits dans les installations de plomberie et chauffage. Ne pas utiliser un autre lubrifiant.
10. La hauteur du terminal sur le toit ne doit pas dépasser une hauteur maximum de 1m (39") à cause de la charge au vent. Si la hauteur est supérieure, le terminal devra être maintenu. La distance maximum entre la surface externe du terminal et le mur est de 50mm (limite résistance collier de fixation).
11. La distance minimum de matériaux inflammables est 0 mm (0").
12. Une seule chaudière doit être raccordée au système de conduits, sauf indication contraire du fabricant de chaudière.
13. Ne jamais utiliser les composants Coxcentric PPs/Alu avec des composants de fabrication différente.

## Distance entre supports

## 1 Distance entre supports verticaux



## 2 Distance entre supports horizontaux

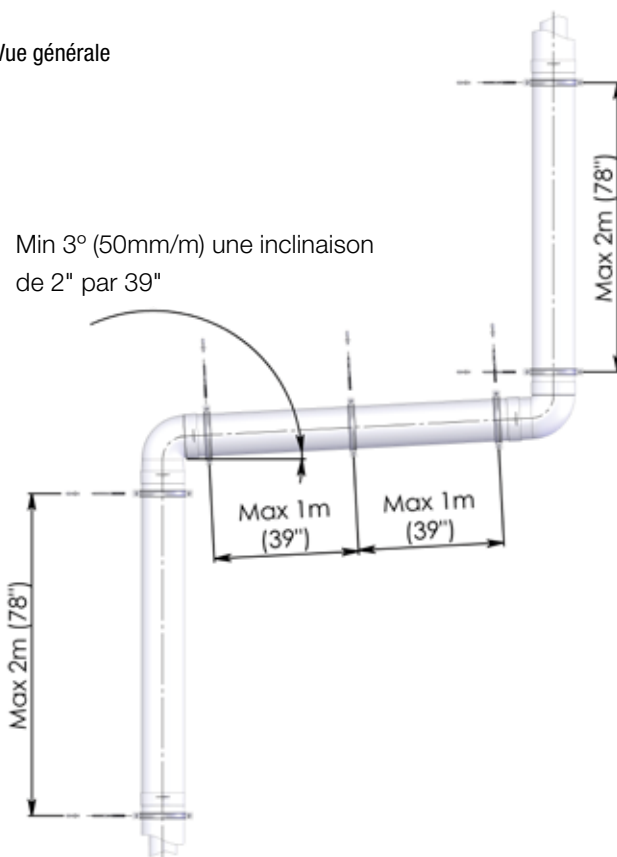


## Degré de pente

## 3 Degré de pente horizontale



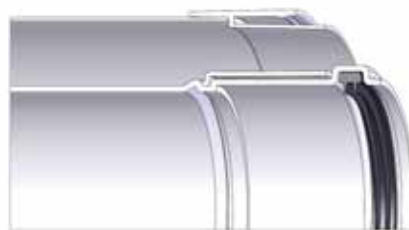
## Vue générale



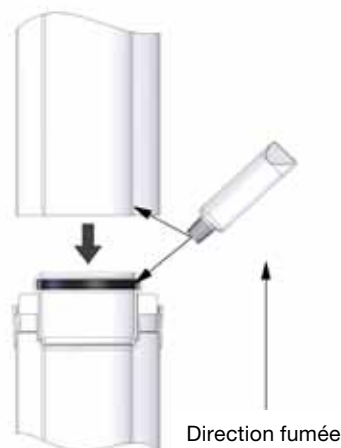
## INSTALLATION DU SYSTÈME COXCENTRIC PPs/ALU AVEC RACCORDEMENTS CONNEXT®

- Vérifier que les joints sont bien à leur place. ❶
- Installation: avant d'assembler les éléments, l'embout et les joints noirs doivent être enduits du lubrifiant sans chlorure Cox Geelen pour faciliter l'opération.
- Les différentes sections sont raccordées en poussant l'embout CONNEXT® (femelle) dans l'embout (mâle) de la section précédente. ❷
- Pour verrouiller l'assemblage, introduire deux vis auto-foreuses  $\varnothing 3,5 \times 13$  mm (fourni avec le système) dans les trous prévus sur l'embout CONNEXT® et visser dans l'embout métallique. Ne pas utiliser de vis plus longues afin de ne pas endommager le conduit interne. ❸
- Après avoir verrouillé les conduits, fixer l'ensemble du système au mur à l'aide des supports aluminium. Pour une installation verticale, la distance maximum entre les supports est de 2 m (78") et pour une installation non verticale la distance maximum entre les supports est 1 m (39"). Les conduits doivent avoir une inclinaison montante de 50 mm (2") par 1000 m (39") depuis la chaudière jusqu'au terminal.
- Ne pas assembler les conduits à l'envers afin d'éviter les fuites de condensat.
- Longueur spécifique: si un conduit est trop long il est possible de le raccourcir à l'aide d'une scie à métaux. ❹
- Ebarber l'embout du conduit.
- Longueur spécifique: si un conduit est trop court il peut être rallongé à l'aide de conduits ajustables.

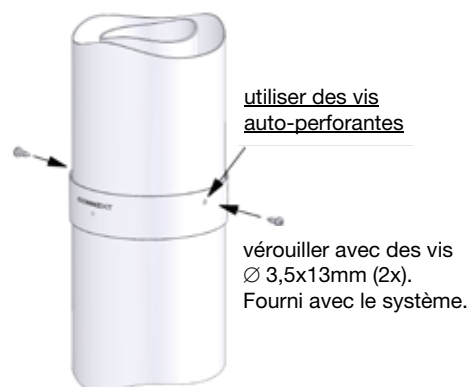
❶



❷



❸



❹



### **ATTENTION!**

**Un joint endommagé peut entraîner des fuites dangereuses de monoxyde de carbone!**



## CONDENSATS

Respecter les instructions du fabricant de chaudière de même que celles de Cox Geelen.

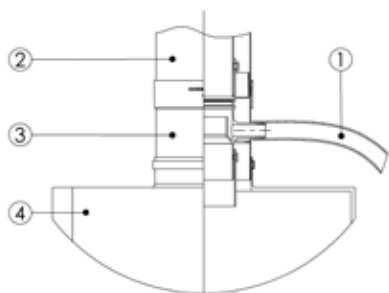
Si les instructions du fabricant de la chaudière spécifient que les condensats ne doivent pas s'écouler dans la chaudière alors le conduit de fumée ne doit pas refouler les condensats vers la chaudière. Le problème peut être résolu en montant un récupérateur de condensats et son drain sur le système Coxcentric. Le récupérateur de condensats et son drain peut être monté sur un conduit horizontal ou vertical – voir diagrammes ci-dessous. Le drain du récupérateur de condensats doit être raccordé à un tube résistant aux condensats de diamètre interne de 3"/4" minimum, lequel via un siphon avec sas est connecté à un circuit d'évacuation des eaux ou à un neutraliseur des condensats.

Pour éviter un gel des condensats et un dysfonctionnement de la chaudière, le circuit d'évacuation des condensats doit être installé à l'intérieur.

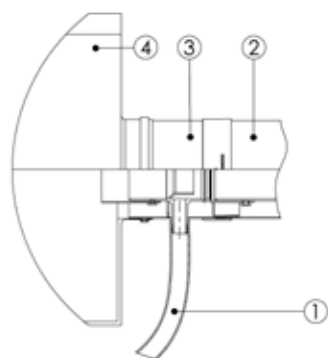
Les condensats ainsi que les déchets du tuyau d'évacuation ne doivent pas être exposés à des températures extrêmes ni aux UV. La récupération et l'élimination des condensats doivent être conformes aux normes EN 3287 et EN 3215. Tous les éléments utilisés pour la récupération et l'élimination des condensats doivent être fabriqués dans des matériaux résistants aux condensats – ainsi que le sont le siphon et le drain flexible de Cox Geelen (part no 0004.CA.0-00).

Le récupérateur de condensats, siphon et drain doivent être inspectés et entretenus par des ingénieurs qualifiés lors de la maintenance annuelle.

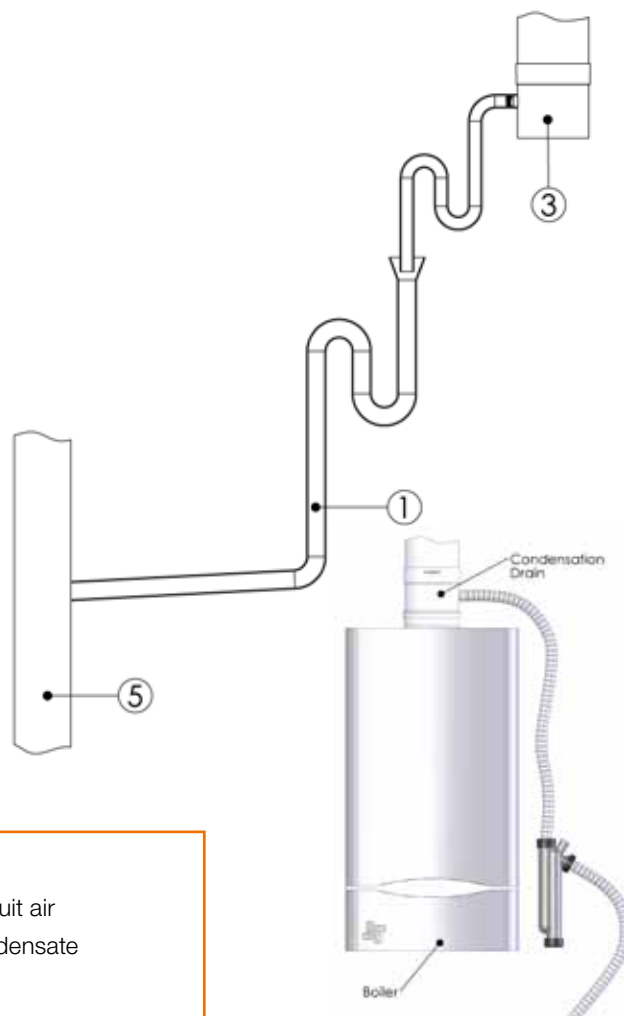
### Connexion verticale



### Connexion horizontale



### Connexion canal de drainage



- ① conduit d'évacuation
- ② conduit fumée / conduit air
- ③ Récupérateur de condensate
- ④ chaudière
- ⑤ canal de drainage

## TERMINAL

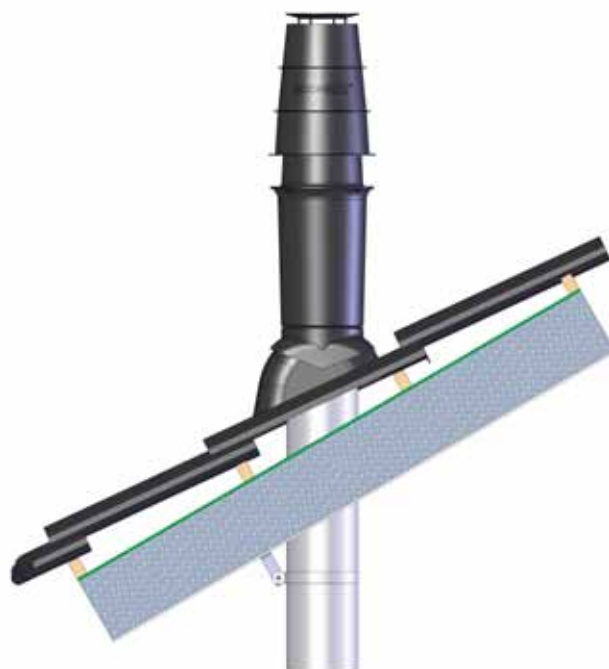
### Terminal vertical

- Aménager un passage dans le toit à l'endroit choisi
  - a) d'un  $\varnothing$  minimum de 140 mm ( $\varnothing$  5,5") (selon la pente du toit) pour terminal  $\varnothing$  60/100 mm ( $\varnothing$  2"/4") ou  $\varnothing$  80/125 mm ( $\varnothing$  3"/5").
  - b) d'un  $\varnothing$  minimum de 170 mm ( $\varnothing$  7") (selon la pente du toit) pour terminal  $\varnothing$  110/160mm ( $\varnothing$  4"/6").

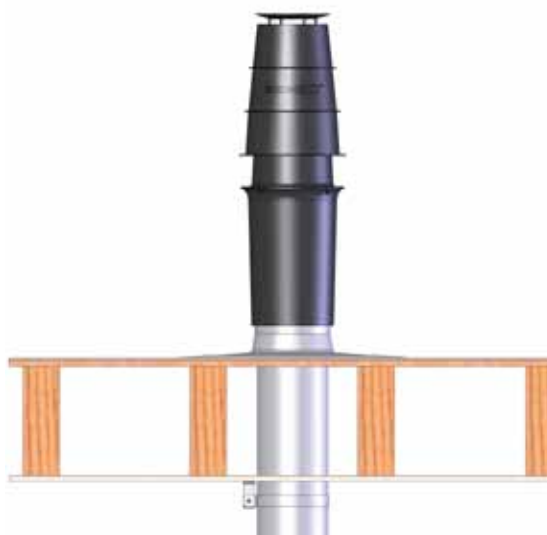
Pour une bonne étanchéité, installer le solin adéquat sur le toit.

- Installer le terminal vertical en l'enfilant dans le solin et l'assujettir avec la pièce de fixation sous le toit.
- Le terminal est maintenant prêt à être raccordé aux conduits.

### Toit incliné



### Toit plat



### Terminal Horizontal

- Aménager un passage dans le toit à l'endroit choisi
  - a)  $\varnothing$  105 mm ( $\varnothing$  4,1") pour terminal  $\varnothing$  60/100mm ( $\varnothing$  2"4");
  - b)  $\varnothing$  130mm ( $\varnothing$  5,1") pour terminal  $\varnothing$  80/125mm ( $\varnothing$  3"5");
  - c)  $\varnothing$  165mm ( $\varnothing$  6,5") pour terminal  $\varnothing$  110/160mm ( $\varnothing$  4"6");
- Pour une bonne étanchéité, monter le joint mural approprié à l'extérieur du mur.
- Passer le terminal horizontal au travers du mur et le fixer avec le collier mural à l'intérieur du mur à l'aide des 4 vis.
- Pour verrouiller le système, visser deux vis auto-foreuses  $\varnothing$  3,5x13mm (fourni avec le système) dans les trous prévus sur le collier mural et au travers du conduit métallique. Ne pas utiliser de vis plus longue afin de ne pas endommager le conduit interne.
- Le terminal mural est maintenant prêt à être raccorder aux conduit

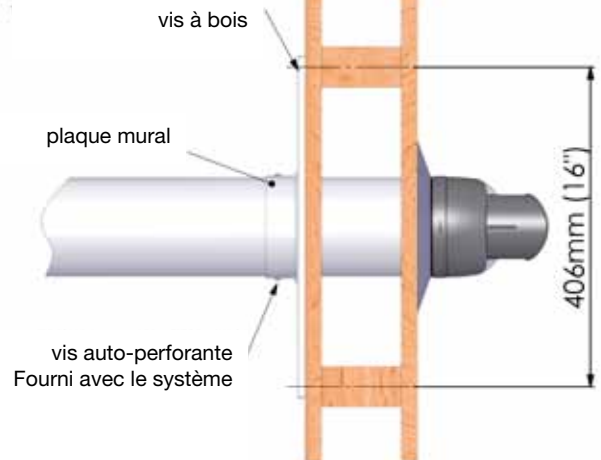
Les terminaux doivent être en conformité avec les instructions du fabricant de Chaudière, et les règlements de l'immeuble concerné, CAN/CSA-B149.1 and CAN/CSA-B149.2.

### Configuration murale type

Vis auto-perforante  $\varnothing$  3,5x13mm (2x).  
Fourni avec le système.



### vu d'en haut



## MAINTENANCE

Cox Geelen recommande que les chaudières à gaz utilisant les conduits Coxcentric PPs/Alu doivent être vérifiés annuellement par un installateur qualifié.

Recommandations éditées le 10-1-2013

**For North American Inquiries:**  
**Z-DENS™**  
Z-Flex (US) Inc.  
Bedford NH 03110-6911  
tel: 800.654.5600  
[www.z-flex-com](http://www.z-flex-com) [sales@z-flex.com](mailto:sales@z-flex.com)

Cox Geelen

Emmastraat 92 • 6245 HZ Eijsden • PO-Box 6 • 6245 ZG Eijsden • The Netherlands  
T +31 (0)43 40 99 500 • F +31 (0)43 40 91 987 • [sales@coxgeelen.com](mailto:sales@coxgeelen.com) • [www.coxgeelen.com](http://www.coxgeelen.com)  
Chamber of Commerce Limburg 14608324

Member of **BERGSCHENHOEK GROEP**